

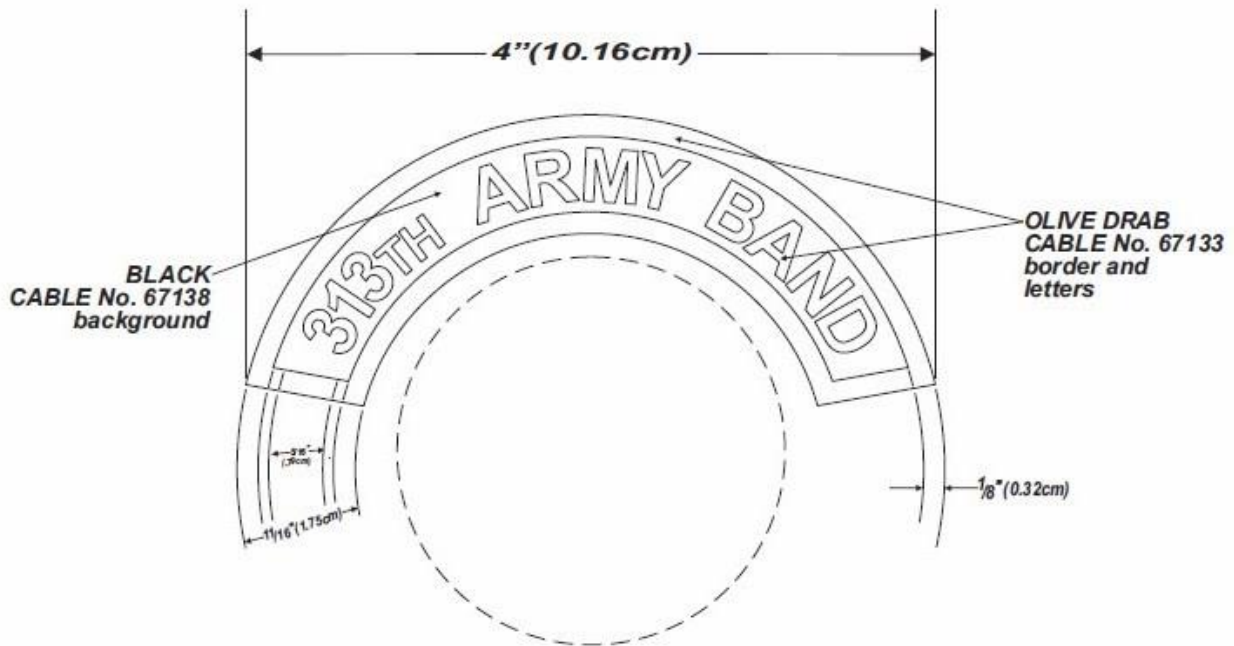
FOR SUBDUED TAB

ACU:

BLACK AREA TO BE BLACK 67138.
OLIVE DRAB AREAS TO BE FOLIAGE
GREEN 67202.

REVISIONS

LTR	DESCRIPTION	DATE	APPROVED
B	STITCH COUNT ADDED.	16 NOV 2009	pm SAO <i>Charles V. Mugno</i> CHARLES V. MUGNO DIRECTOR



DESIGNED FOR OVEREDGE STITCHING

STITCH COUNT

2432 STITCHES (minimum)
90/2 DENIER
8/4 SPAN

UNLESS OTHERWISE SPECIFIED DIMENSIONS ARE IN INCHES TOLERANCES ON FRACTIONS DECIMALS ANGLES

MATERIALS:
TO BE MANUFACTURED IN ACCORDANCE WITH MIL-DTL-14652

EXAMINED	TLC	
CHECKED	pm	SAO
PREPARED	CA	
APPROVED	<i>Charles V. Mugno</i> CHARLES V. MUGNO DIRECTOR	

THE INSTITUTE OF HERALDRY, DEPARTMENT OF THE ARMY
9325 GUNSTON RD. S-113 FORT BELVOIR, VA 22060-5579

TAB
313TH ARMY BAND
UNITED STATES ARMY RESERVE

SIZE	CONTROL IDENT. NO	
A	22571	A - 1 - 1004
SCALE	FULL	DATE 26 JUNE 2009